

**KISTOCK DATALOGGER**  
**Food industry range : KT150**

/ /  
Temperature / Current / Voltage



IP 65 : 12000 - 16000 : 1000 values /  
: ~ 3 2 setpoint alarms  
( )

Part number					
KT-150-IN	yes	no	0	12 000	, ,
KT-150-IO	yes	1 line	0	12 000	
KT-150-AN	yes	no	1	16 000	
KT-150-AO	yes	1 line	1	16 000	

	°C, °F, mV, V, mA, A
	0.1 °C, 0.1 °F, 0.001 V, 0.001 mA, 0.1 A
<b>External input</b>	1 Jack connector 2.5, stereo
	Temperature
<b>Setpoint alarms</b>	2 setpoint alarms on each channel
	From 1 s to 24 h
	From -40 to +70 °C
	From -40 to +85 °C
	5 years

98.7 x 67.8 x 34.7 mm

113 g

1 LCD ( 45 × 17 mm)

**Control**  
2 keys : Select and OK

ABS  
: Elastomer

IP 65

**PC communication**  
1 digital input for male Jack connector 3.5

**Digital electronics**  
Lacquer protected circuit board  
Meets RoHS standards

3.6V 1/2 AA

2 ( , )

**Environment**  
Air and neutral gases

\* on the basis of 1 measurement each 15 minutes at 20°C

⋮ , , ,

• ( )

	NTC
	From -40 to +120 °C (remove probe)
	±0.3 °C (-25 °C < T < +70 °C)
	±0.5 °C (beyond)

•

	NTC
	From -40 to +70 °C
	±0.4 °C (-20 °C < T < +70 °C)
	±0.8 °C (beyond)

• INPUT ( )

	0/4-20 mA
	±0.2 % of the measurement ±1 µA

• INPUT ( )

	0-10 V
	±0.2 % of the measurement ±1 mV

• **AMMETER CLAMP (OPTIONAL)**

	0-50 A / 0-100 A / 0-200 A / 0-600 A
	±1 to 2.5 % of the value displayed (according to measuring range)

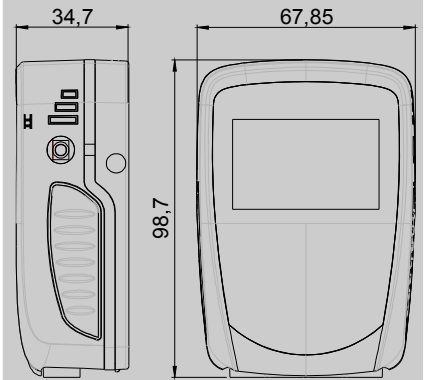
See technical datasheet "Measuring probe and cable for class 150 kistock dataloggers"

All accuracies indicated in this document were stated in laboratory conditions and can be guaranteed for measurements carried out in the same conditions, or carried out with calibration compensation.

**EN 12830 norm**

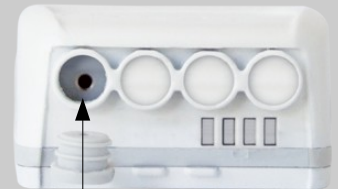
**KT 150** models dedicated to food industry, meet with requirements of **EN 12830 norm**. This certification is required for transportation, storage and distribution of refrigerated, frozen and deep-frozen food, and ice cream  
 Certification is done by an independent laboratory, **COFRAC** accredited.

**DIMENSIONS (mm)**



**CONNECTONS**

**External input (KT 150-A)**



- Jack connectors (2.5)  
 Probe input for :
- NTC temperature
  - Current input cable
  - Voltage input cable
  - Ammeter clamp

**Input for PC connection**



Jack connector (3.5)  
 Input for Kistock-PC software

5가

- "Immediate" ( )
  - "Minimum", "Maximum" "Average" , ,
  - "Monitoring" ( , . )
    - setpoint
    - setpoint
- "loop " 가 .

dataset :4가

- 
- 
- push button
- Online : PC

dataset : 6가

- ,
- 
- 
- FULL
- 
- "OK": -

1 2 3.88:8.8 mV %RH °F °Ctd mA

MAX REC ACT END  
MIN LOG TIME FULL

END DATASET  
REC  
LOG : : data set  
FULL

ACT  
TIME  
MIN  
MAX

↗  
↘

⚡

: 5 ( 4 + )

*bAt* LED 가 ,

*Err* LED : -> "select " & "OK" RESET

*Err* LED : -> "select " & "OK" RESET

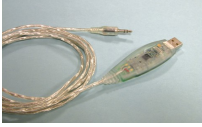


• Configuration and data processing software &

- Software.....Ref. KILOG-N
- USB interface.....Ref. I-KIC2
- Complete set : soft + 1 interface.....Ref. KIC2 KILOG



• KILOG CFR software  
KILOG CFR 21CFR -Part 11  
가 가



• KISTOCK-PC interface K  
PC - KISTOCK( ) USB  
Ref. I-KIC2

- Interface.....Ref. I-KIC2
- Complete set : KILOG 1CFR software + 1 interface.Ref. KIC2-CFR-N



Software is compatible with the former range of Kistock.



• KNT  
KNT KISTOCK  
, ( 500,000)  
PC  
Ref. KNT 300



• KNT  
Ref. ITP



• ( )  
Ref. KAV-N



KISTOCK , : , 90

- NTC  
PVC, 5m, (male & female)  
Ref. KRC 5  
- 25m 가

- Lace. Ref. KDC
- Lithium ½ AA battery. Ref. KBL

Calibration ( )

KISTOCK calibration certificate ( )

가

가

- ( )
- ( )



Wallmount and lace eyelet

Magnetic mounting

: 5 (\*)

- 1.
- 2.
- 3.
- 4.

- "SELECT" & "OK" 2

\* 15 (20 )